



Diamond Tub & Showers Spec Sheet

Model: TH 603376 R/L

Description: HandicapTub/Shower Combo 1 Piece Unit
(NOT ADA COMPLIANT)

Specifications

Model #	Material	Wall Finish	Pieces	Drain	Apron Height	Net Weight Lbs.
TH 603376	Fiberglass/ Gelcoat	Smooth	1	LH/RH	15"	

Sump Data

Top of Drain to Bottom of Overflow	Capacity to Overflow Gallons	Top Dimensions		Bottom Dimensions	
		Length	Width	Length	Width
9 3/16"	36.9	53"	22 7/8"	44 7/8"	17 7/8"

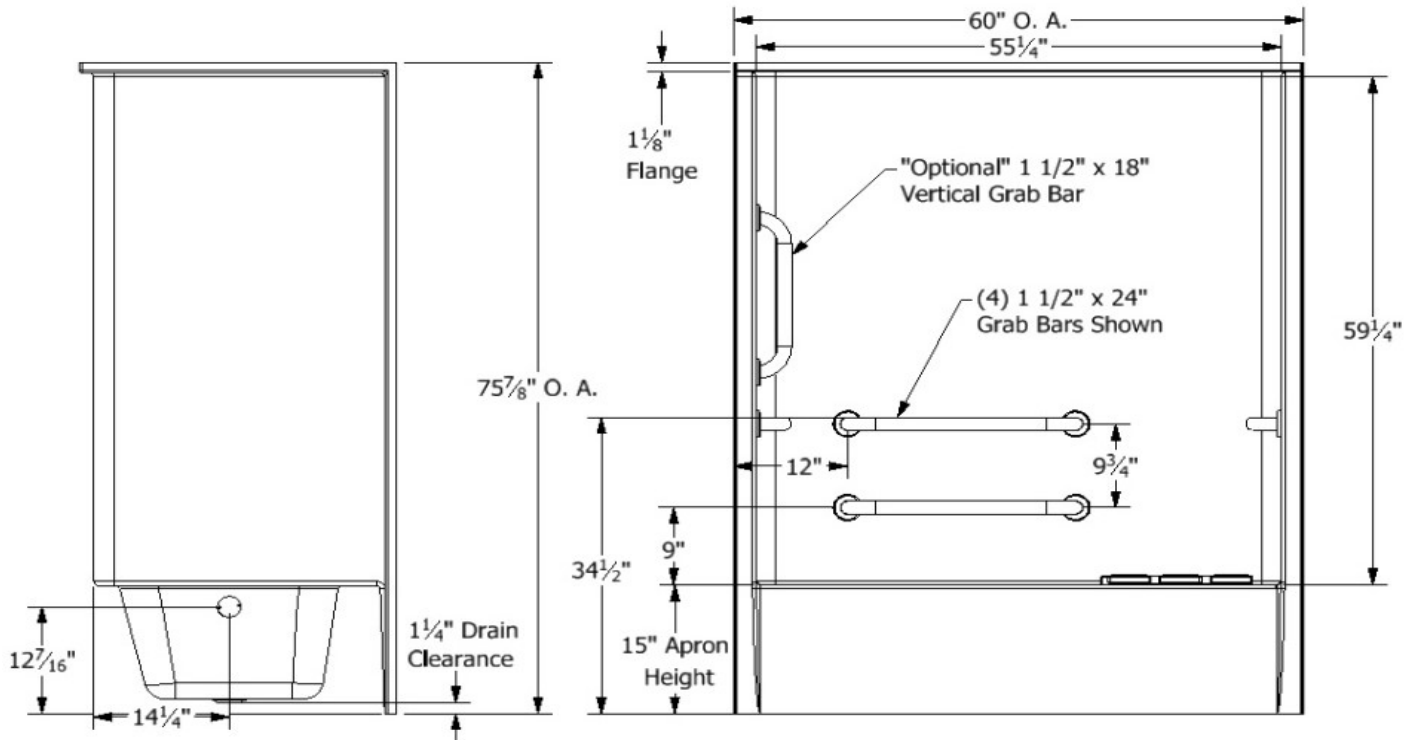
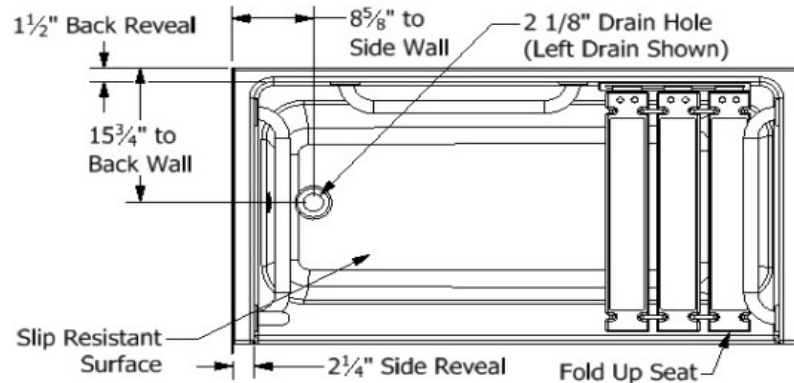
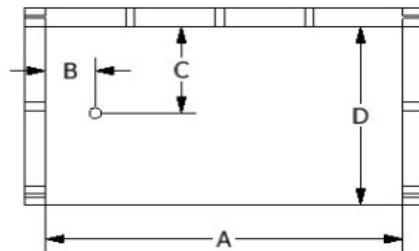
Framing Dimensions

A	B	C	D
60 1/8"	8 5/8"	15 3/4"	33 3/8"

Enclosure Opening

Length	Width
55 1/4"	59 1/4"

Framing Specifications



Certified to conform to ANSI Z124.1 and ASTM E-162 Flame Spread Rating 200 or less and is under a program of factory

Manufactured by Front Line Mfg., Inc. Warsaw, IN



5/29/20



Diamond Tub & Showers Spec Sheet
Model: TH 603379 R/L (Left Shown)
Description: Tub/Shower 1 Piece Unit
ADA COMPLIANT

Specifications

Model #	Material	Wall Finish	Pieces	Drain	Apron Height	Net Weight Lbs.
TH 603379	Fiberglass/Gelcoat	Smooth	1	LH/RH	17 3/4"	

Sump Data

Top of Drain to Bottom of Overflow	Capacity to Overflow Gallons	Top Dimensions		Bottom Dimensions	
		Length	Width	Length	Width
9 1/2"	36.9	53"	22 7/8"	44 7/8"	17 3/4"

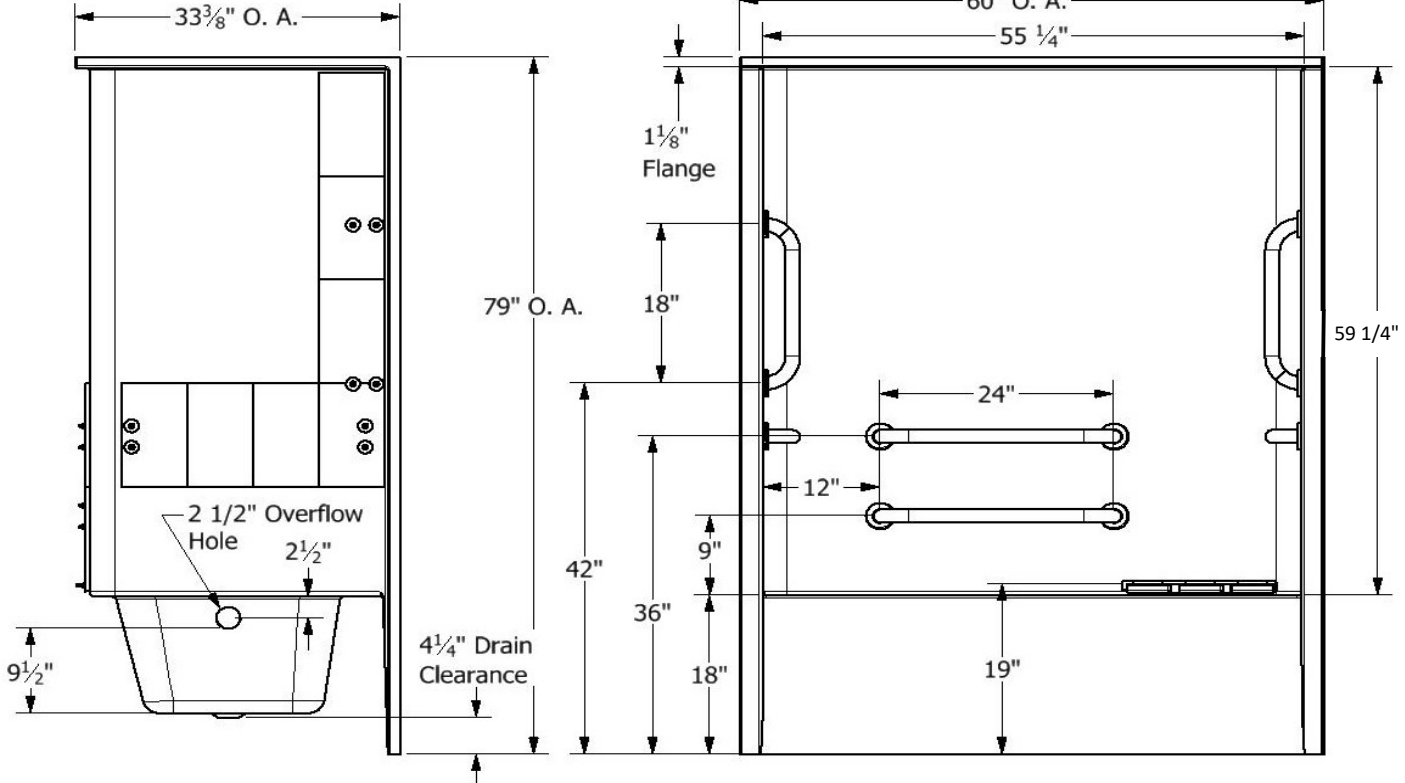
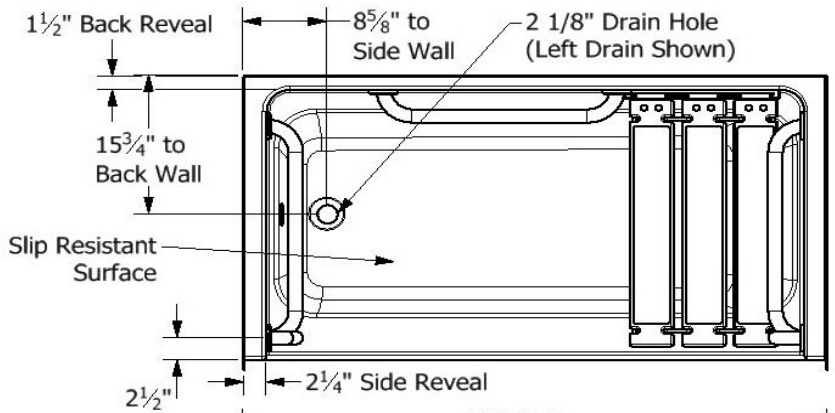
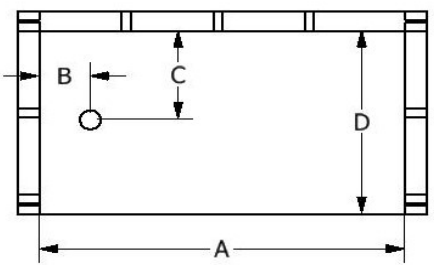
Framing Dimensions

A	B	C	D
60 1/8"	8 5/8"	15 3/4"	33 3/8"

Enclosure Opening

Width	Height
55 1/4"	59 1/4"

Framing Specifications



Certified to conform to ANSI Z124.1 and ASTM E-162 Flame Spread Rating 200 or less and is under a program of factory

Manufactured by Front Line ICC Mfg., Inc. Warsaw, IN
 5/29/20